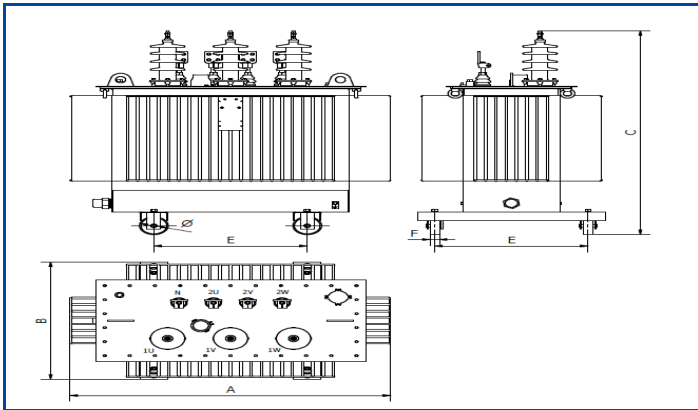


**DIELECTRIC LIQUID IMMERSED TRANSFORMERS**

100 to 2500 kVA (Al/Al)  
 Insulation level ≤ 24 kV and 36kV  
 EcoDesign (EU) 1783/2019



Rev\_F\_SEP\_2024



Losses acc. to (UE) 1783/2019					STANDARDS	
Power	S. 24 kV		S. 36 kV		In accordance with standards: • IEC 60076-1 // • EU 1783/2019	
	P <sub>0</sub>	P <sub>K</sub>	P <sub>0</sub>	P <sub>K</sub>		
≤1000 kVA	AA0	Ak	AA0+15%	Ak+10%		
≥1250 kVA	AA0	Ak	AA0+15%	Ak+10%		

COMMON ELECTRICAL CHARACTERISTICS (*)	
Frequency	50 Hz
Vector group	Dyn5 or Dyn11
Primary voltage (at no load)	6kV (up to 1000kVA) to 24 kV
HV tapping range (off-load)	3 to 7 positions (2,5%)
Secondary voltage (at no load)	380 to 440 V (Ph-Ph) 220 to 254 V (Ph-N)
Ambient temperature (Max.)	40 °C
Altitude above sea level	≤1000 m
Routine test (1)	Included
Type test (2)	Optional (quotable)
Special test (3)	Optional (quotable)

**ELECTRICAL CHARACTERISTICS FOR INSULATION LEVEL ≤ 24 kV (\*)**

Rated Power kVA	50	100	160	250	315	400	500	630	800	1000	1250	1600	2000	2500	
Rated primary voltage (dual voltage on request)	6 to 24 kV										10 to 24 kV		15 to 24 kV		
Rated insulation level	7,2 kV BIL(60/20kV); 12 kV BIL(75/28kV); 17,5 kV BIL(95/38kV) or 24 kV BIL(125/50kV)														
Losses W	no load losses	81	130	189	270	324	387	459	540	585	693	855	1080	1305	1575
	load losses at 75°C	750	1250	1750	2350	2800	3250	3900	4600	6000	7600	9500	12000	15000	18500
Rated impedance voltage %	4	4	4	4	4	4	4	4	4 or 6	6	6	6	6	6	
No-load current 100%Vn	3,5	2,5	2,3	2	1,9	1,8	1,7	1,6	1,4	1,3	1,2	1,1	1	0,9	
Noise level dB(A)	Sound power LwA	39	41	44	47	49	50	51	52	53	55	56	58	60	63
	Sound pressure LpA (1 m)	24	27	30	33	34	36	36	38	39	41	42	43	44	47
Approximated Dimensions (mm)	A	980	1000	1100	1200	1250	1300	1400	1400	1500	1550	1600	1750	1900	2050
	B	750	800	820	820	850	880	880	900	980	1000	1050	1150	1280	1300
	C	1420	1420	1450	1500	1600	1700	1750	1800	1850	1900	2000	2050	2100	2300
	E	520	520	520	520	670	670	670	670	670	670	820	820	820	1070
	F	40	40	40	40	40	40	40	40	40	40	70	70	70	70
	Ø	125	125	125	125	125	125	125	125	125	125	200	200	200	200
	Magnetic core weight (kg)	330	410	570	760	820	990	1150	1210	1500	1530	1910	2080	2270	2530
H.V./L.V. windings weight (aluminium) (kg)	90	140	150	200	230	310	390	430	545	660	650	720	920	950	
Oil volume (L)	200	210	235	330	410	455	525	585	700	770	875	1105	1340	1400	
Oil weight (Kg)	170	180	200	280	350	390	450	500	600	660	750	950	1150	1200	
Total weight (Kg)	800	900	1100	1500	1950	2100	2350	2500	3200	3500	4000	4800	5600	6100	

**ELECTRICAL CHARACTERISTICS FOR INSULATION LEVEL 36 kV (\*)**

Rated Power kVA	50	100	160	250	315	400	500	630	800	1000	1250	1600	2000	2500	
Rated primary voltage (dual voltage on request)	25 to 36 kV														
Rated insulation level	36 kV BIL (170/70kV)														
Losses W	no load losses	93	149	217	311	372	445	527	621	672	796	983	1242	1500	1811
	load losses at 75°C	825	1375	1925	2585	3080	3575	4290	5060	6600	8360	10450	13200	16500	20350
Rated impedance voltage %	4,5	4,5	4,5	4,5	4,5	4,5	4,5	4,5	4,5	6	6	6	6	6	
No-load current 100%Vn	3,8	3	2,5	2,4	2,3	2,2	2	1,8	1,6	1,5	1,4	1,3	1,2	1	
Noise level dB(A)	Sound power LwA	39	41	44	47	49	50	51	52	53	55	56	58	60	63
	Sound pressure LpA (1 m)	24	27	30	33	34	36	36	38	39	41	42	43	44	47
Approximated Dimensions (mm)	A	980	1000	1050	1150	1250	1250	1300	1300	1400	1400	1650	1750	1900	2100
	B	750	780	800	820	850	850	880	900	980	980	1150	1200	1250	1450
	C	1440	1450	1450	1500	1600	1700	1750	1800	1800	1850	2000	2100	2150	2200
	E	520	520	520	520	670	670	670	670	670	670	820	820	820	1070
	F	40	40	40	40	40	40	40	40	40	40	70	70	70	70
	Ø	125	125	125	125	125	125	125	125	125	125	200	200	200	200
	Magnetic core weight (kg)	290	360	470	560	660	770	860	920	1150	1200	1790	1820	1890	2170
H.V./L.V. windings weight (aluminium)(kg)	90	100	150	165	210	250	300	340	420	510	550	550	650	660	
Oil volume (L)	200	225	260	305	375	410	515	560	620	700	935	990	1225	1400	
Oil weight (Kg)	170	190	220	260	320	350	440	480	530	600	800	850	1050	1200	
Total weight (Kg)	750	850	1050	1500	1600	1800	2000	2100	2600	2900	4050	4600	5500	6000	

(\*) OTHERS CHARACTERISTICS: Consult IMEFY.

NOTE: Dimensions may change without prior notice.

IMEFY applies a policy of continuous development of its products and reserves the right to make changes in the specifications and technical characteristics without prior notice. The present technical data sheet has no other objective than to give information without any compromise.

For further information please contact IMEFY.