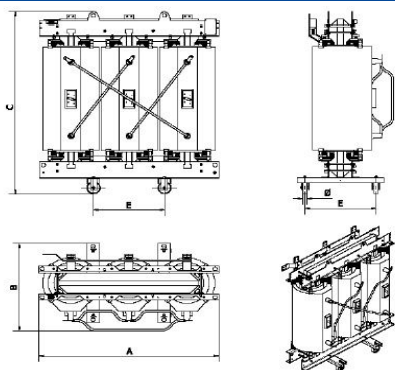


**CAST-RESIN TRANSFORMERS**  
 100 to 2500 kVA (Al/Al)  
 Insulation level ≤ 24 kV and 36 kV  
 EcoDesign (EU) 1783/2019



Rev\_F\_SEP\_2024



Power	Losses acc. to 1783/2019				STANDARDS
	S.24 kV		S.36kV		
≤630 kVA	PO	PK	PO	PK	In accordance with standards:
≥800 kVA	AAo	AK	AAo + 15%	AK + 10%	• IEC 60076-1 // • EU 1783/2019
	AAo	AK	AAo + 15%	AK + 10%	
COMMON ELECTRICAL CHARACTERISTICS (*)					
Frequency	50 Hz				
Vector group	Dyn5 or Dyn11				
Primary voltage (at no load)	6 to 36 kV				
HV tapping range (off-load)	3 to 7 positions (2,5%)				
Secondary voltage (at no load)	380 to 440 V (Ph-Ph) 220 to 254 V (Ph-N)				
Ambient temperature (Max.)	40 °C				
Altitude above sea level	≤ 1000 m				
Routine test (1)	Included				
Type test (2)	Optional (quotable)				
Special test (3)	Optional (quotable)				

**ELECTRICAL CHARACTERISTICS FOR INSULATION LEVEL ≤ 17,5 kV (\*)**

Rated Power kVA	100	160	250	315	400	500	630	800	1000	1250	1600	2000	2500	
Rated primary voltage (dual voltage on request)	6 to 17,5 kV											10 to 17,5 kV		
Rated insulation level	7,2 kV BIL(60/20kV); 12 kV BIL(75/28kV); 17,5 kV BIL(95/38kV)													
Losses W	no load losses	252	360	468	558	675	812	990	1170	1395	1620	1980	2340	2790
	load losses at 120oC	1800	2600	3400	3877	4500	5630	7100	8000	9000	11000	13000	16000	19000
Rated impedance voltage %	6	6	6	6	6	6	6	6	6	6	6	6	6	
No-load current 100%Vn	1,7	1,6	1,4	1,3	1,3	1,2	1,2	1,1	1	1	0,9	0,9	0,8	
Noise level dB(A)		51	54	57	58	60	61	62	64	65	67	68	70	71
	Sound pressure LpA (1 m)	35	40	43	44	46	47	48	50	51	53	53	54	55
Approximated Dimensions (mm)	A	1450	1450	1500	1500	1500	1550	1550	1650	1700	1700	1800	2000	2200
	B	735	735	820	820	820	820	820	860	880	1000	1000	1050	1300
	C	1320	1320	1380	1450	1550	1650	1700	1760	1860	2150	2200	2200	2350
	E	520	520	670	670	670	670	670	670	670	820	820	820	1070
	F	40	40	40	40	40	40	40	40	40	70	70	70	70
	Ø	125	125	125	125	125	125	125	125	125	200	200	200	200
Magnetic core weight (kg)	670	700	790	850	940	1050	1140	1340	1690	1920	2380	3110	4200	
H.V./L.V. windings weight (aluminium) (kg)	100	130	160	200	240	290	330	370	520	630	750	800	1050	
	1100	1250	1350	1420	1550	1750	1900	2350	2750	3300	3900	4800	6500	

**ELECTRICAL CHARACTERISTICS FOR INSULATION LEVEL 24 kV (\*)**

Rated Power kVA	100	160	250	315	400	500	630	800	1000	1250	1600	2000	2500	
Rated primary voltage (dual voltage on request)	17,5 to 24 kV													
Rated insulation level	24 kV BIL(125/50kV)													
Losses W	no load losses	252	360	468	558	675	812	990	1170	1395	1620	1980	2340	2790
	load losses at 120oC	1800	2600	3400	3877	4500	5630	7100	8000	9000	11000	13000	16000	19000
Rated impedance voltage %	6	6	6	6	6	6	6	6	6	6	6	6	6	
No-load current 100%Vn	1,7	1,6	1,4	1,3	1,3	1,2	1,2	1,1	1	1	0,9	0,9	0,8	
Noise level dB(A)		51	54	57	58	60	61	62	64	65	67	68	70	71
	Sound pressure LpA (1 m)	35	40	43	44	46	47	48	50	51	53	53	54	55
Approximated Dimensions (mm)		1450	1500	1500	1500	1500	1600	1600	1700	1800	1800	1900	2100	2300
		765	765	820	820	820	860	860	880	900	1000	1000	1100	1300
		1350	1350	1400	1500	1600	1650	1750	1800	1950	2150	2300	2300	2450
		520	520	670	670	670	670	670	670	670	820	820	820	1070
		40	40	40	40	40	40	40	40	40	70	70	70	70
		125	125	125	125	125	125	125	125	125	200	200	200	200
Magnetic core weight (kg)	670	820	850	960	1090	1260	1370	1540	1910	2150	2530	3420	4940	
H.V./L.V. windings weight (aluminium) (kg)	100	130	170	210	260	310	340	380	530	610	790	890	1080	
Total weight (Kg)	1200	1350	1400	1550	1750	1900	2200	2550	3100	3500	4200	5500	7200	

**ELECTRICAL CHARACTERISTICS FOR INSULATION LEVEL 36 kV (\*)**

Rated Power kVA	100	160	250	315	400	500	630	800	1000	1250	1600	2000	2500	
Rated primary voltage (dual voltage on request)	25 to 36 kV													
Rated insulation level	36 kV BIL (170/70kV)													
Losses W	no load losses	290	414	538	713	776	933	1138	1345,5	1604	1863	2277	2691	3208
	load losses at 120oC	1980	2860	3740	4994	4950	6190	7810	8800	9900	12100	14300	17600	20900
Rated impedance voltage %	6,5	6,5	6,5	6,5	6,5	6,5	6,5	6,5	6,5	6,5	6,5	6,5	6,5	
No-load current 100%Vn	1,9	1,8	1,6	1,5	1,4	1,3	1,3	1,2	1,1	1,1	1	1	0,9	
Noise level dB(A)		51	54	57	58	60	61	62	64	65	67	68	70	71
	Sound pressure LpA (1 m)	35	40	43	44	46	47	48	50	51	53	53	54	55
Approximated Dimensions (mm)		1500	1600	1700	1800	1800	1800	1800	1800	1900	2000	2200	2200	2400
		820	900	950	950	950	950	1000	1000	1000	1100	1200	1200	1420
		1580	1700	1900	1900	1900	1900	2100	2200	2200	2400	2450	2450	2600
		520	520	670	670	670	670	670	670	670	820	820	820	1070
		40	40	40	40	40	40	40	40	40	70	70	70	70
		125	125	125	125	125	125	125	125	125	200	200	200	200
Magnetic core weight (kg)	820	1300	1400	1600	1720	1850	2050	2330	2690	3010	4040	4470	5620	
H.V./L.V. windings weight (aluminium) (kg)	110	120	210	220	230	260	300	400	430	550	700	740	900	
Total weight (Kg)	1350	1900	2250	2400	2600	2750	3000	3450	3750	4500	5900	6400	8400	

(\*) OTHERS CHARACTERISTICS: Consult IMEFY.

NOTE: Dimensions may change without prior notice.

IMEFY applies a policy of continuous development of its products and reserves the right to make changes in the specifications and technical characteristics without prior notice. The present technical data sheet has no other objective than to give information without any compromise. For further information please contact IMEFY.