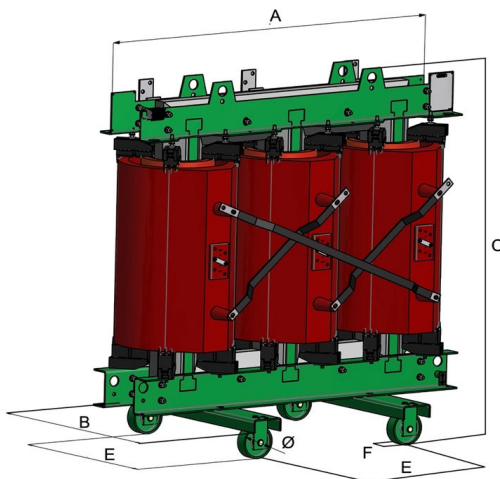


CAST-RESIN TRANSFORMERS

100 to 2500 kVA (AI/AI)  
Insulation level ≤ 24 kV and 36 kV  
EcoDesign (EU) 1783/2019



Rev\_F\_SEP\_2024



Power	Losses acc. to 1783/2019				STANDARDS
	S.24 kV		S.36kV		
	PO	PK	PO	PK	In accordance with standards:
≤630 kVA	AAo	AK	AAo + 15%	AK + 10%	• IEC 60076-1 // • EU 1783/2019
≥800 kVA	AAo	AK	AAo + 15%	AK + 10%	
COMMON ELECTRICAL CHARACTERISTICS (*)					
Frequency					50 Hz
Vector group					Dyn5 or Dyn11
Primary voltage (at no load)					6 to 36 kV
HV tapping range (off-load)					3 to 7 positions (2,5%)
Secondary voltage (at no load)					380 to 440 V (Ph-Ph) 220 to 254 V (Ph-N)
Ambient temperature (Max.)					40 °C
Altitude above sea level					≤ 1000 m
Routine test (1)					Included
Type test (2)					Optional (quotable)
Special test (3)					Optional (quotable)

ELECTRICAL CHARACTERISTICS FOR INSULATION LEVEL ≤ 17,5 kV (\*)

Rated Power kVA	100	160	250	315	400	500	630	800	1000	1250	1600	2000	2500
Rated primary voltage (dual voltage on request)	6 to 17,5 kV											10 to 17,5 kV	
Rated insulation level	7,2 kV BIL(60/20kV); 12 kV BIL(75/28kV); 17,5 kV BIL(95/38kV)												
Losses W	no load losses												
	load losses at 120oC												
Rated impedance voltage %	6	6	6	6	6	6	6	6	6	6	6	6	6
No-load current 100%Vn	1,7	1,6	1,4	1,3	1,3	1,2	1,2	1,1	1	1	0,9	0,9	0,8
Noise level dB(A)	Sound pressure LpA (1 m)												
	A												
Approximated Dimensions (mm)	B												
	C												
	E												
	F												
	Ø												
	Magnetic core weight (kg)												
H.V./L.V. windings weight (aluminium) (kg)													
Total weight (kg)													

ELECTRICAL CHARACTERISTICS FOR INSULATION LEVEL 24 kV (\*)

Rated Power kVA	100	160	250	315	400	500	630	800	1000	1250	1600	2000	2500
Rated primary voltage (dual voltage on request)	17,5 to 24 kV												
Rated insulation level	24 kV BIL(125/50kV)												
Losses W	no load losses												
	load losses at 120oC												
Rated impedance voltage %	6	6	6	6	6	6	6	6	6	6	6	6	6
No-load current 100%Vn	1,7	1,6	1,4	1,3	1,3	1,2	1,2	1,1	1	1	0,9	0,9	0,8
Noise level dB(A)	Sound pressure LpA (1 m)												
	A												
Approximated Dimensions (mm)	B												
	C												
	E												
	F												
	Ø												
	Magnetic core weight (kg)												
H.V./L.V. windings weight (aluminium) (kg)													
Total weight (Kg)													

ELECTRICAL CHARACTERISTICS FOR INSULATION LEVEL 36 kV (\*)

Rated Power kVA	100	160	250	315	400	500	630	800	1000	1250	1600	2000	2500
Rated primary voltage (dual voltage on request)	25 to 36 kV												
Rated insulation level	36 kV BIL (170/70kV)												
Losses W	no load losses												
	load losses at 120oC												
Rated impedance voltage %	6,5	6,5	6,5	6,5	6,5	6,5	6,5	6,5	6,5	6,5	6,5	6,5	6,5
No-load current 100%Vn	1,9	1,8	1,6	1,5	1,4	1,3	1,3	1,2	1,1	1,1	1	1	0,9
Noise level dB(A)	Sound pressure LpA (1 m)												
	A												
Approximated Dimensions (mm)	B												
	C												
	E												
	F												
	Ø												
	Magnetic core weight (kg)												
H.V./L.V. windings weight (aluminium) (kg)													
Total weight (Kg)													

(\*) OTHERS CHARACTERISTICS: Consult IMEFY.

NOTE: Dimensions may change without prior notice.

IMEFY applies a policy of continuous development of its products and reserves the right to make changes in the specifications and technical characteristics without prior notice. The present technical data sheet has no other objective than to give information without any compromise. For further information please contact IMEFY.